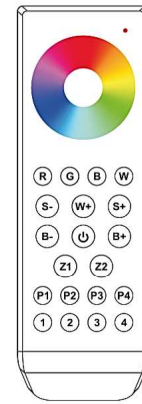


RF & WiFi RGBW Controller



Brief introduction of buttons



- Working status indicator, the sender is in dormant status when the indicator is off. The sender is under working when the indicator is flashing rapidly. If the indicator continues flashing at the frequency of 1 second, it indicates that the sender batteries low and needs to replace new batteries.
- Touch wheel for selecting R/G/B colors
- R G B W Short press: switch on/off each channel; Long press: dim up/down each channel
- S- Speed down when color is changing S+ Speed up when color is changing
- B- Brightness down B+ Brightness up
- Turn ON/OFF Z1 Z2 2 zones
- P1 P2 P3 P4 Each button built-in 2 modes
- W+ Short press: RGB mixed white: CW,NW,WW in circle; Long press : switch OFF RGB channels
- 1 2 3 4 4 buttons for saving 4 colors or modes each zone. If you like a color or mode, just long press any of the 4 buttons over 2seconds to save it. Short press to get that saved color or mode.

Product introduction

RF RGB(W) remote controller is a wireless color controlling system that consists of a sender and a receiver or several receivers. By selecting switch status, you can set the system as RGB 3-channel output, or RGBW 4-channel output. Using Easy RGB(W) remote controller, you can get whatever color you want; you can choose any color from RGB(W) to adjust so as to mix more than 100 million kinds of colors. With built-in 10 kinds of color changing modes, you can easily switch color changing modes and adjust speed and brightness. "Function Pause" enables RGBW LED to stay at your favorite color under the situation of color changing modes, which operation is simple but functional.

Parameter

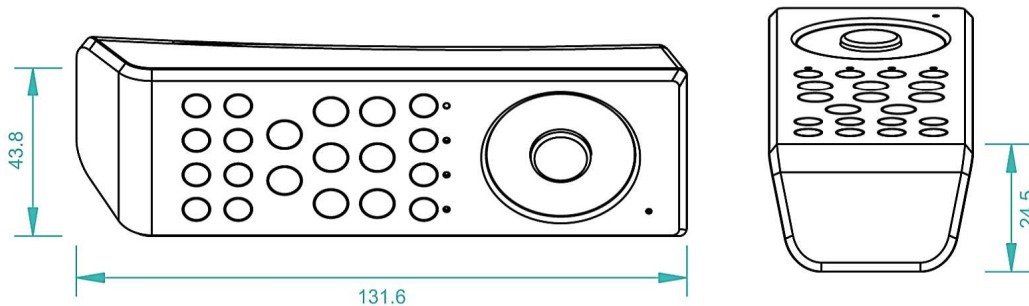
Remote

Part No.	Operation Voltage	Operation Frequency	DIMENSIONS ø/h (mm)
214-142	4.5VDC	434MHz/868MHz	43.8x131.6x24.5

Receiver

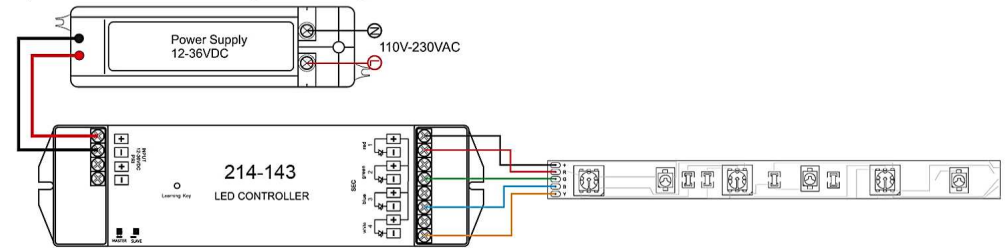
Part No.	Input Voltage	Current	Output	Remarks
214-143	12-36VDC	4x5A	4x(60-180)W	Constant voltage

Product Size

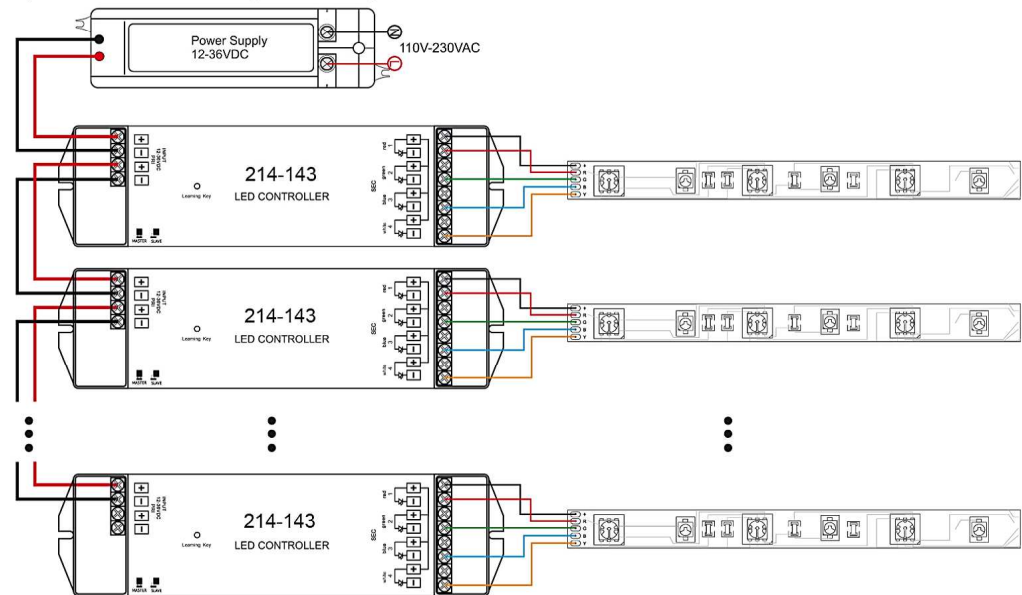


Wiring diagram




1)Receiver Connection Diagram for Single Unit



2)Receiver Connection Diagram for Multiple Units



Operation

1. Do wiring according to connection diagram and install battery into remote control.
2. How to learn&delete ID process?
 - a. Turn on the remote by .
 - b. Short press at Learning Key on receiver.
 - c. Press any zone button(which you desire to control) on remote, for example .
 - d. Then touch color wheel .
 - e. Connected LED light will blink to confirm zone designation.

How to reset to factory default: Long Press Learning Key on receiver for over 5 seconds until connected LED light flash off, to delete the learned ID, the receiver will be reset to factory default. If you want to learn receiver into another zone, please follow learning ID process operation 2.

Safety & Warnings

- 1) The product shall be installed and serviced by a qualified person.
- 2) IP20. Please avoid the sun and rain. When installed outdoors, please ensure it is mounted in a water proof enclosure.
- 3) Always be sure to mount this unit in an area with proper ventilation to avoid overheating.
- 4) Please check if the output voltage of any LED power supplies used comply with the working voltage of the product.
- 5) Never connect any cables while power is on and always assure correct connections to avoid short circuits before switching on.
- 6) Please ensure that the cable is secured tightly in the connector
- 7) For update information please consult your supplier.

Warranty Agreement

- 1) We provide lifelong technical assistance with this product:
 - 3-year warranty. We print date on every products, for example :1125 means year 2011, week 25. The warranty is for free repair or replacement and covers manufacturing faults only.
 - For faults beyond the 3-year warranty we reserve the right to charge for time and parts.
- 2) Limited Warranty
 - Any defects caused by wrong operation.
 - Any damages caused by unauthorized removal, maintenance, modifying, incorrect connection and replacement of chips.
 - Any damages due to transportation, vibration etc. after purchase.
 - Any damages caused by earthquake, fire, lightning, pollution and abnormal voltage.
 - Any damages caused by negligence, inappropriate storing at high temperatures and humidity or near harmful chemicals.
 - Product has been updated
- 3) Repair or replacement as provided under this warranty is the exclusive remedy to the customer.